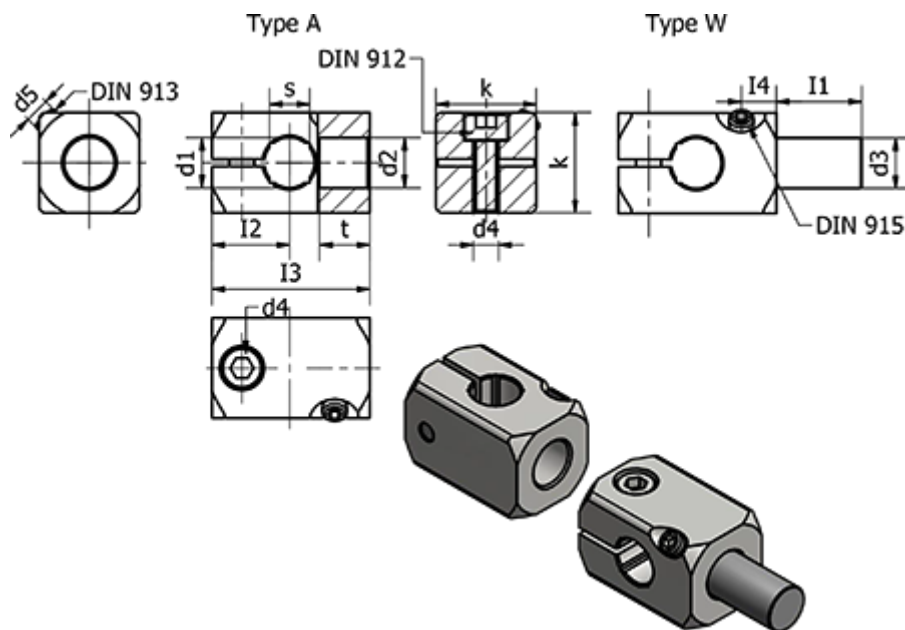


Article number: 20476B2020WMT

Description: E+G T-clamp mounting - GN 476-B20-20-W-MT

## Measures



Clamping kit for d4 = GN 511-M6-30	l3	= 51	
d1	= 20	l4	= 12
d2	=	k	= 30
d3	= 20	s	= 16
d4	= M6	t	= 18
d5	= M6	Weight (g)	= 60
l1	= 26		
l2	= 22		